
STD-884112-ARS

4MP smart face recognition bolt camera



Product description:

Smart functions

- Support face detection, tracking, capture, scoring and screening, output the best face capture, and reduce repeated captures;
- Support face area exposure, area enhancement, attribute analysis, simultaneous detection of up to 30 faces, and quick capture of faces;
- Adopt high-performance AI chip, face recognition and information extraction based on deep learning, greatly improving recognition rate of face capture;
- Support front-end face recognition and comparison, support management of up to 3 face libraries, standard 30,000 face libraries;
- Support settings of blacklist and whitelist, support blacklist control and alarm; support different face databases to be armed at different times;
- Support comparison and query of identification records. The front-end can store 100,000 comparison records;

Basic skills

- Adopt a high-performance 4 million pixel 1/1.8" CMOS image sensor, with high definition, star-level low illumination, high frame rate, and good color reproduction;
- Support maximum 2560*1440@30fps high-definition picture output, support three-code stream technology. Each code stream can be independently configured with resolution and frame rate;
- Support H.264, H.265, adaptive (SVC) encoding format; be applicable to different bandwidths and storage environments;
- Support wide dynamic, 3D noise reduction, strong light suppression, electronic shutter, digital watermark and other functions, adapt to different monitoring environments;
- Support Micro SD/SDHC/SDXC card storage, up to 256G; support for disconnected network transfer function to prevent video from being lost;
- Support a variety of abnormal detection, motion detection, occlusion detection, storage abnormality, low storage space, network disconnection, IP conflict, MAC conflict, illegal access;
- Support DC12V power supply mode;
- Support standard Onvif protocol, national standard GB28181, GA/T1400 protocol, docking cloud service, Alibaba Cloud platform;
- Anti-surge, anti-static, lightning protection design;

Order model:

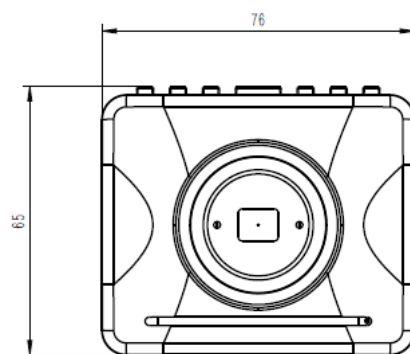
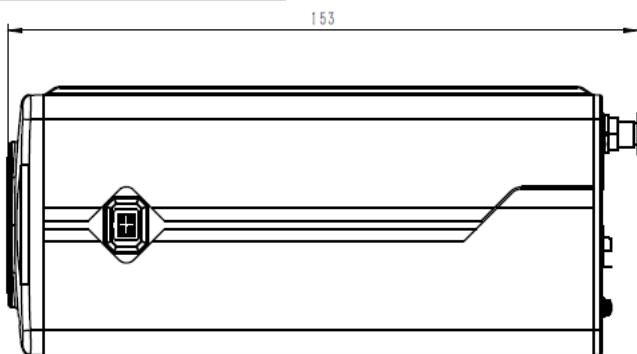
STD-884112-ARS

Application scenarios:

It is suitable for scenes needing face recognition or need high-definition picture quality, such as lighting projects, communities, shops, supermarkets, hotels, banks, train stations, bus stations, airports, subways,

governments, hospitals, schools, buildings, public security skynet, etc.

Product size: (unit: mm)



Product parameters:

Basic parameters	Model	STD-884112-ARS
	Sensor type	1/1.8", Progressive Scan CMOS
	Minimum illumination	0.001Lux (color mode); 0.0001Lux (black-white mode)
	Electronic shutter	1/50—1/100,00 second
	Wide dynamic range	≥120dB
	Signal-to-noise ratio	≥56dB
	Lens	Optional lens
Professional intelligence	Smart function	Face detection, face tracking, face optimization, face attributes, face recognition, face exposure, face enhancement
	Face capture performance	At the same time, it can detect up to 30 faces; the minimum and maximum pixels of the detection face can be set, and the detection area can be set
		Face cutout, half body cutout, full body cutout; capture rate not less than 98%, repeat capture rate less than 5%
	Face capture mode	Optimal mode, automatic mode, monitoring mode; number of snapshots and time can be set
	Face attribute analysis	Age, gender, masks, glasses, expressions, etc.
	Face recognition efficiency	Recognition accuracy rate ≥99.50%, recognition speed ≤0.2S
	Face database management	Management of up to 3 face libraries, maximum 30,000 face libraries, storage of 100,000 comparison records
Black-white list	Support blacklist and whitelist comparison, blacklist control alarm	
Coding standard	Video coding standard	H.264B、H.264M、H.264H、H.265、MJPEG、SVC
	Output bit rate	Video bit rate: 256Kbps~16384Kbps, picture bit rate: 50KB~1024KB
	Audio coding	Audio compression standards: G711a, G711Mu, PCM; audio sampling rate: 16KHz
Image parameters	Maximum resolution	400W(2560*1440)
	Resolution and frame rate	1920x1080,1280x720),60Hz:30fps(2560x1440、1920x1080,1280x720); Sub code stream 1: 50Hz:25fps(1280x720、704x576,352x288);60Hz:30fps(1280x720、704x576,352x288); Sub code stream 2:

		50Hz:25fps(1280×720,704×576); 60Hz:30fps(1280×720,704×576);
	Image processing	Saturation, brightness, contrast, and adjustable chroma; global metering, local metering, day and night switching, strong light suppression, backlight compensation, exposure, wide dynamic, gain, aperture, white balance, 3D noise reduction, fog, Gamma, adjustable scene mode, image flip, mirror, video/image watermark added
	OSD information overlay	Picture and video OSD settings, name, date, weekday, address, font, coordinates, etc.
	Region of interest	Face ROI enhancement, support for setting 4 regions
Internet function	Interface Protocol	ONVIF, GB/T28181, GA/T1400, cloud platform
	Network protocol	TCP/IP,ICMP,HTTP,HTTPS,FTP,DHCP,DNS,RTP,RTSP,RTCP,NTP,QoS,IPv6
	Smart alarm	Video occlusion, motion detection, network disconnection, IP address conflict, MAC conflict, storage abnormality
	Video recording	Manual recording; Alarm recording; Timing recording; Motion detection recording; Face detection recording; Face recognition recording
Hardware interface	Communication Interface	1 10/100M adaptive Ethernet port
	Local storage interface	Micro SD/SDHC/SDXC card (maximum 256G), support interrupted network transfer
	Other interfaces	Alarm: 1 input 1 output; audio: 1 input 1 output; 1 RS485 interface
	Wiegand interface	Standard Wiegand 26bit protocol, two data lines + one GND line
General specification	Working environment	-30℃~60℃, humidity is less than 95% (non-condensing)
	Power input	DC12V±20%
	Power consumption	≤5W
	Protection level	Metal structure material, anti-surge, anti-static, lightning protection design
	Size(mm)	153(L)*76(W)*65(H), not include the lens
	Bare metal weight	About 0.4kg